

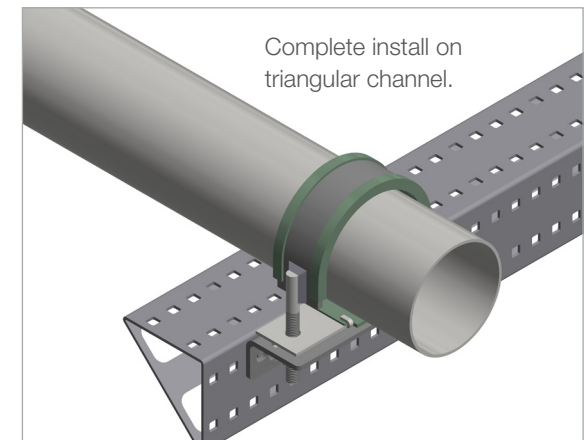
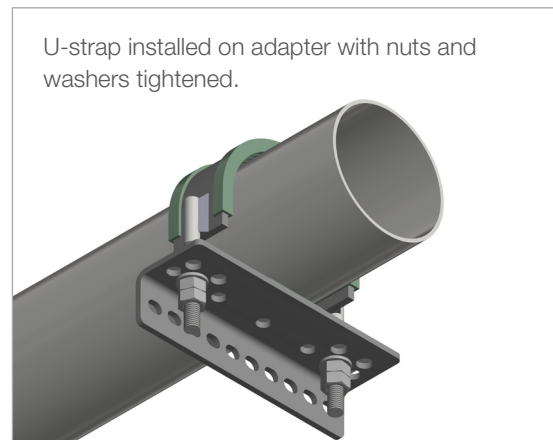
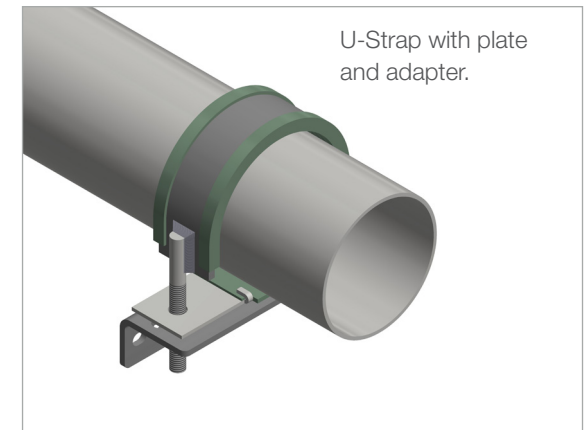
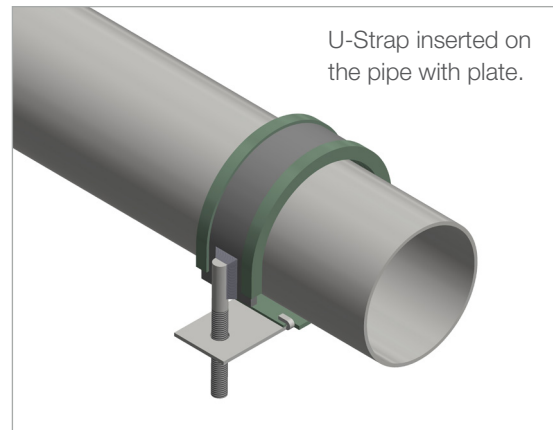
INTENDED USE

Provides support for a pipe and keeps it in place. Grip stops the pipe from moving in any direction.

INSTRUCTION FOR USE

Insert the U-Strap over the pipe, then add the accompanying plate with the rubber facing the pipe. Insert the bolts on the U-Strap into an U-Strap Adapter, then add the washers and 4 nuts (2 nuts on each bolt).

Tighten each bolt with the recommended torque, making sure that the U-strap is securely fastened to the pipe.



User Guide for Bolts:
Recommended Torque