

INTENDED USE

Mekano® CH50-2T triangular channel for light load support of EI&T, HVAC and Telecom applications. Channel has bolt holes for M10 one side, and M6 the other side.

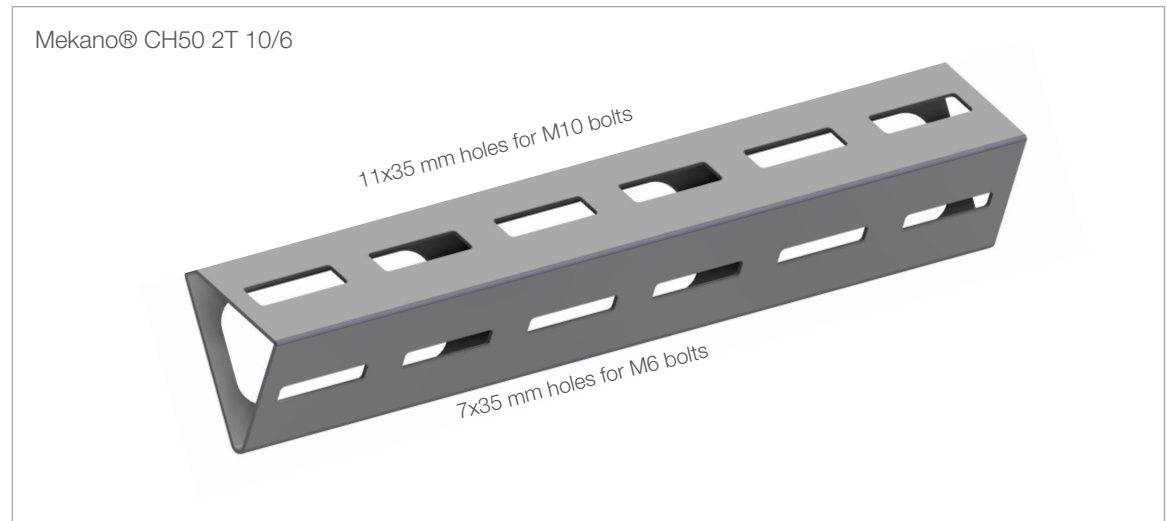
INSTRUCTION FOR USE

Mekano® CH50-2T 10/6 channels can be fixed to other Mekano® channels using M10 self locking bolts.

Cable trays can then be fixed to the Mekano® CH50-2T 10/6 channels using M6 self locking bolts.

Channels can also be fitted back to back in endless combinations..

Attach the parts loosely with self locking bolts, adjust and tighten securely.



User Guide for Bolts:
Recommended Torque