

INTENDED USE

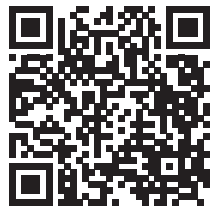
The CH100 support channel is a 'C' shaped FRP support channel. T-supports are suited for applications with equal load on each side.

INSTRUCTION FOR USE

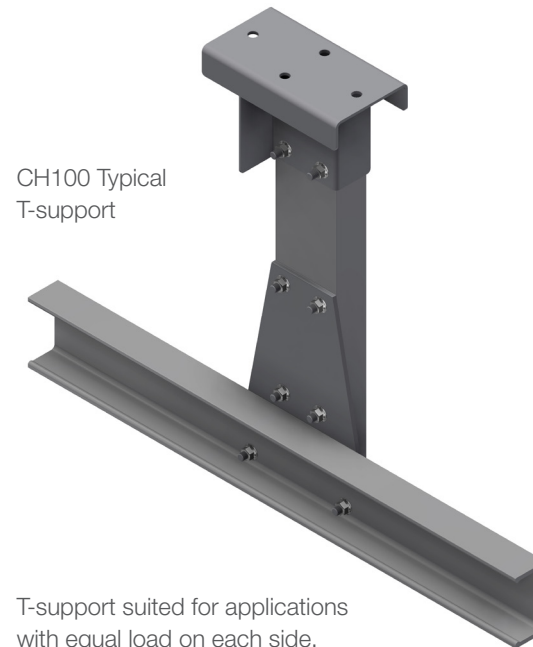
The channels should be fixed together using M10 hex bolts. We recommend the use of SS bolts for all FRP supports, however FRP stud bolts can also be used if a full composite system is required. Gusset plate must be used between the horizontal and vertical channels.

Drilling of channel is done at site using a Smart Jig. Use gusset plate as drill jig for connection between vertical and horizontal channel. Please refer to user guide 0375 for Smart Jig instructions.

Carbide tip drill bits are best suited for drilling FRP. We recommend sealing the holes with a clear acrylic lacquer suitable for outdoor use. 10 mm drill bit size should be used.

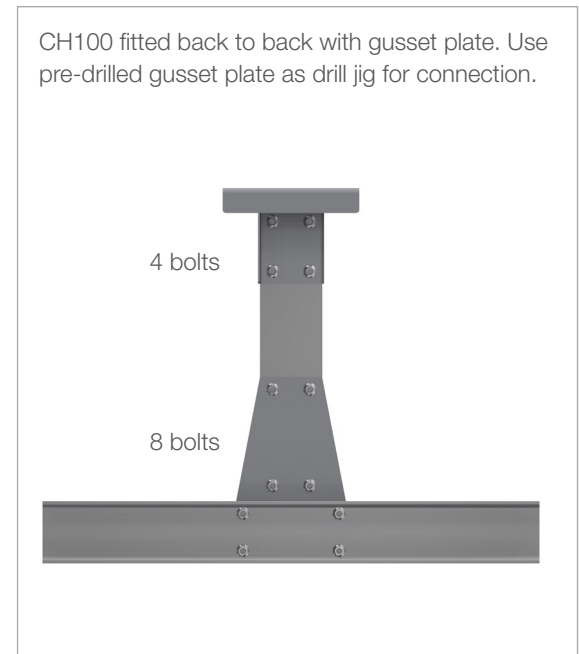


User Guide for Bolts:
Recommended Torque



CH100 Typical
T-support

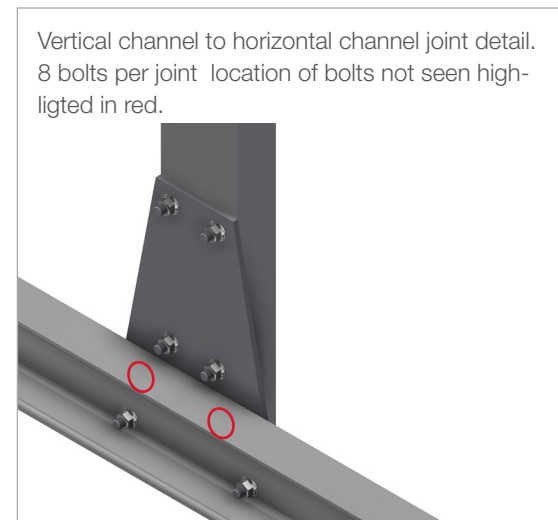
T-support suited for applications with equal load on each side.



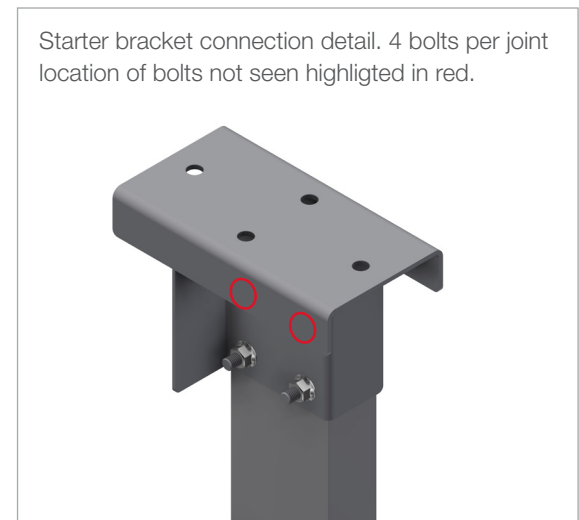
CH100 fitted back to back with gusset plate. Use pre-drilled gusset plate as drill jig for connection.

4 bolts

8 bolts



Vertical channel to horizontal channel joint detail. 8 bolts per joint location of bolts not seen highlighted in red.



Starter bracket connection detail. 4 bolts per joint location of bolts not seen highlighted in red.