

## INTENDED USE

Universal bracket ideally suited for fastening cables or cable trays directly to structure using Hilti S-BT M10 bolts.

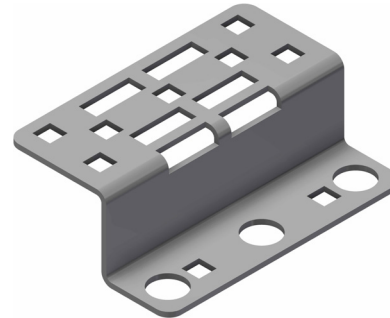
The bracket has perforations that are suitable for applications using M6 bolts or cable strips to fasten cables or equipment directly to the bracket.

## INSTRUCTION FOR USE

Scan QR code for fitting instructions for Hilti S-BT. When fitting a cable tray, the two round holes at each end should be used to fasten the bracket to the structure.

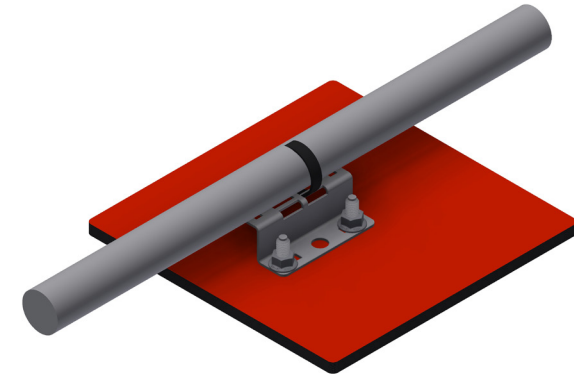
Cable trays can then be secured using M6 bolts. Bolts should be fitted from the inside of the tray to prevent damage to cables.

Hole pattern ideally suited for application fitting.

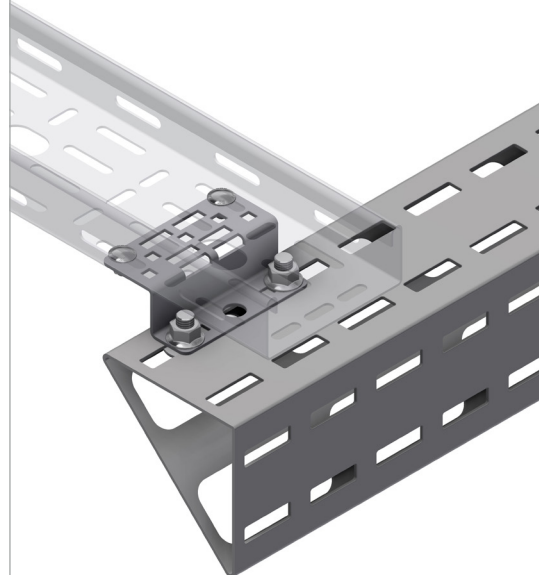


Holes for M10/M6 bolts for fastening directly to structure or support.

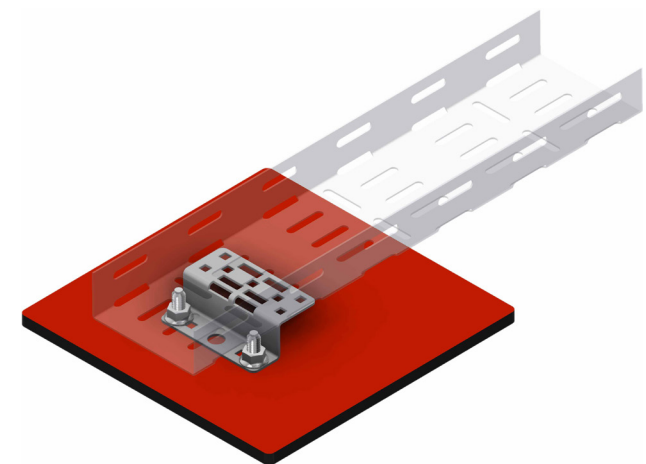
Should be used with two Hilti S-BT bolt for fastening cable directly to the bracket.



Fitted to Mekano®.



Should be used with two Hilti S-BT when fastening SPB-RF or SPBE 100 mm wide cable trays for a more secure connection.



User Guide for Bolts:  
Recommended Torque



Fitting introductions  
for S-BT