

INTENDED USE

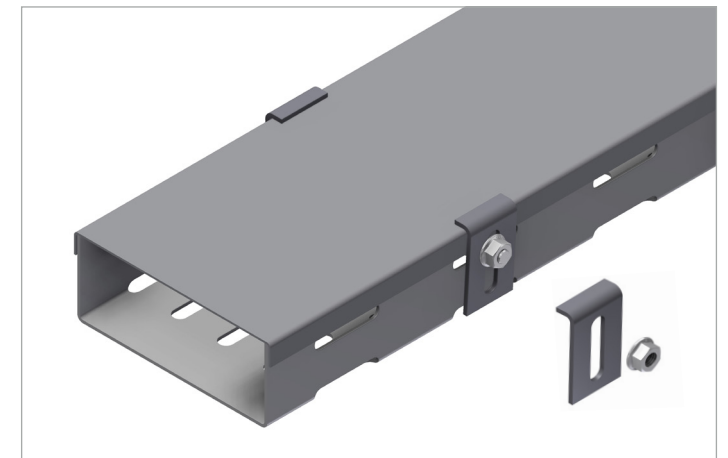
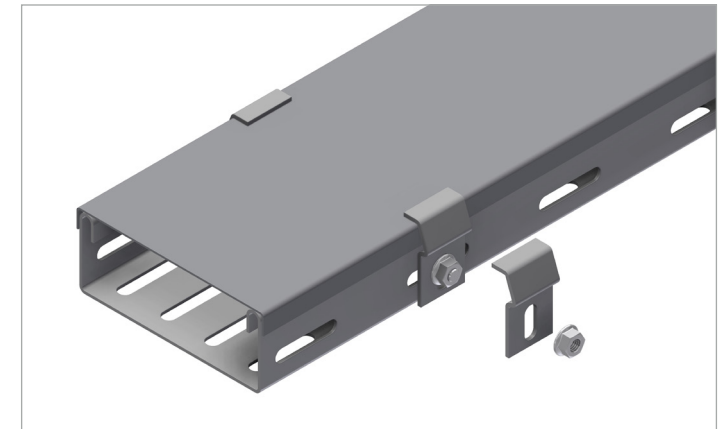
Covers for SPB trays for straight lengths and fittings for horizontal application. These offer basic protection from falling objects.

Suitable for indoor use without wind loading.

Instruction for use

Fit the brackets to the cable tray or ladder loosely. Fit the covers and twist the brackets into place. Tighten the bolts securely.

Use 4 clamps per 3 m cover.



User Guide for Bolts:
Recommended Torque