

INTENDED USE

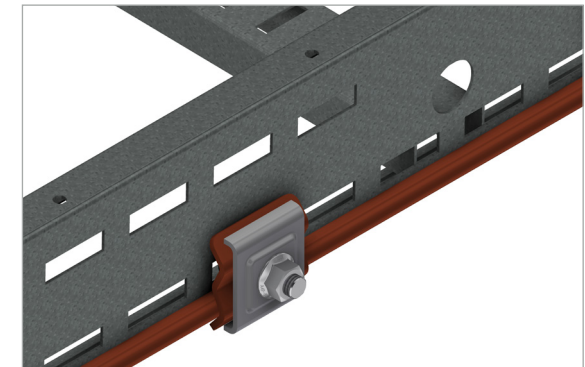
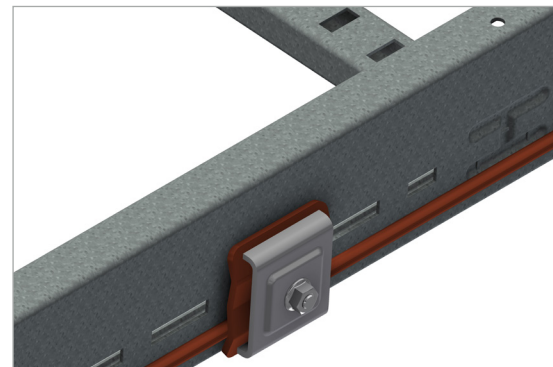
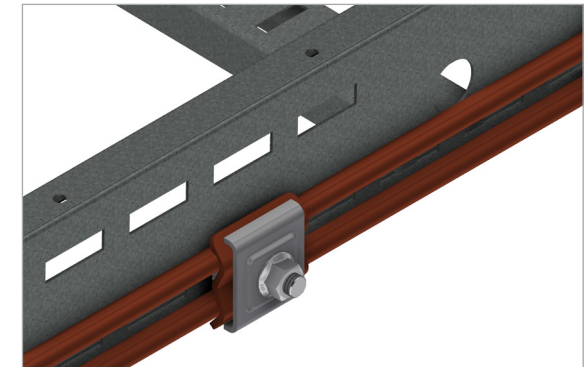
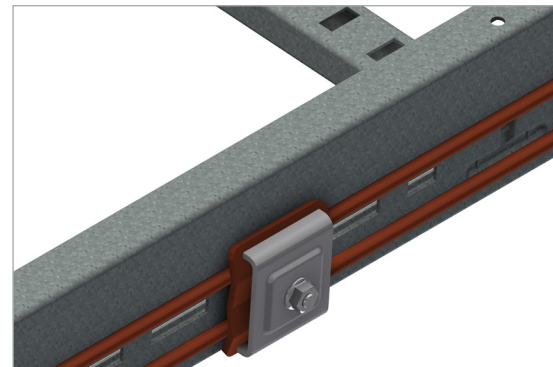
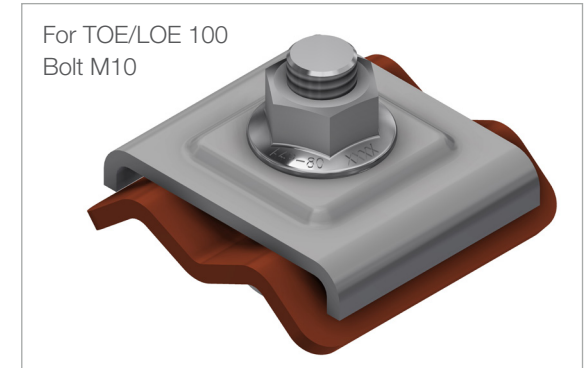
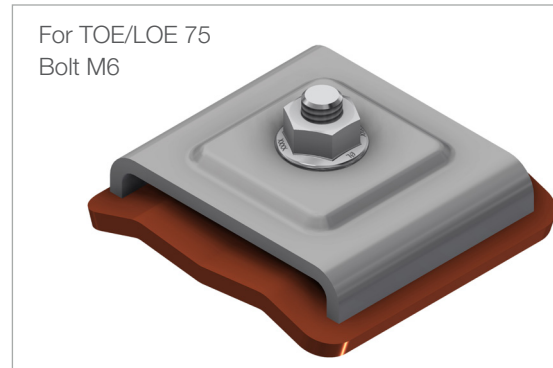
Earthing clamp for fixing earthing cables to TOE/LOE Cable Ladders. Each bracket can hold two earthing cables.

INSTRUCTION FOR USE

Place earthing clamp over the earthing cable, fit the bolt from the inside of the cable ladder to the clamp. Adjust and tighten securely.

TOE/LOE 75: 1 x M6 bolt.
Recommended outer diameter for earthing cables: 3.5mm - 8.0mm

TOE/LOE 100: 1 x M10 bolt.
Recommended outer diameter for earthing cables: 7.5 mm - 15.0mm



User Guide for Bolts:
Recommended Torque