

INTENDED USE

Cover Clamps for use in locations exposed to wind loadings. The clamp completely surrounds the cover and tray assembly. It can be used both horizontally, or vertically. 2 x M6 Bolts are supplied for connecting the bracket together. Additional bolts are required depending on the application. Allow minimum 3 HD clamps for each 3 m cover. Attach the end clamps within 100 mm of the cover ends.

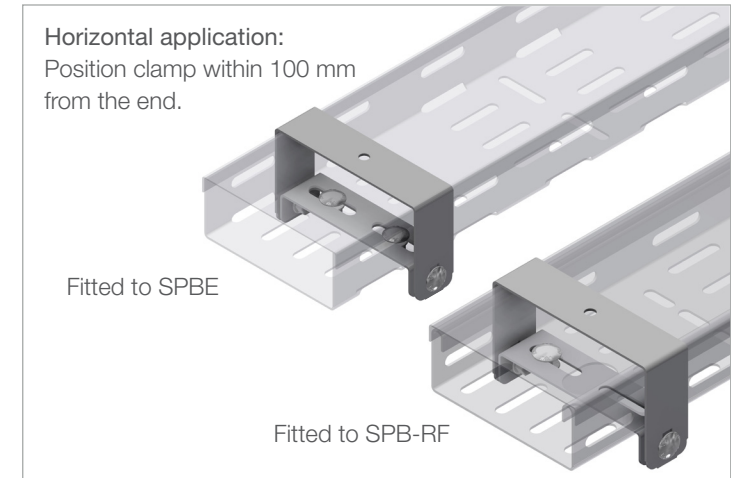
INSTRUCTION FOR USE

Horizontal application

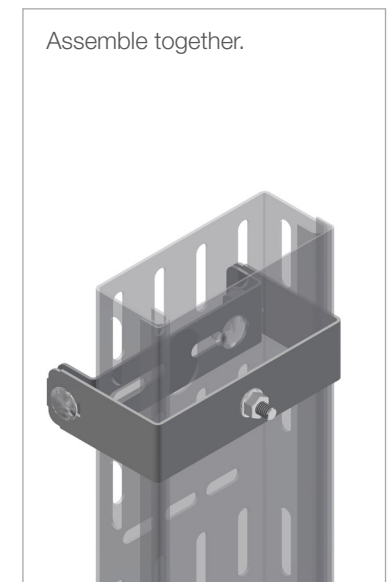
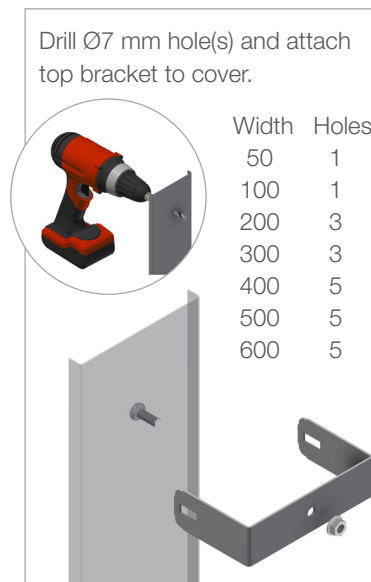
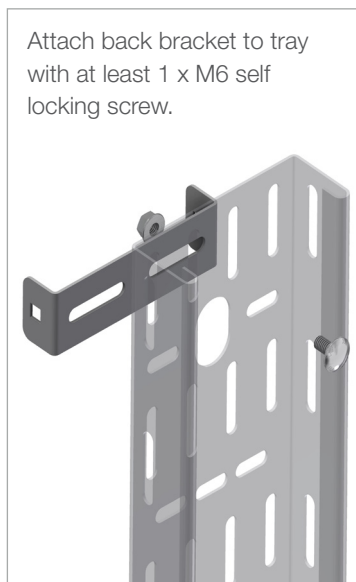
- Attach the lower bracket to the underside of the tray using 1 x M6 self locking bolt (ideally before cables are run).
- Fit the cover, and the secure in place with the top bracket and the 2 x M6 self locking bolts supplied.

Vertical application

- Attach the lower bracket to the underside of the tray using 1 x M6 self locking bolt (ideally before cables are run).
- Test fit the cover with the top bracket and mark the position of the hole(s) to be drilled in the cover.
- Dissassemble, drill holes Ø 7 and fix top bracket to the cover using pan head screws, with the nut fitted outwards.
- Fit the bracket and cover assembly over the tray and fasten securely using the 2 x M6 self locking bolts supplied.



Vertical Application:



User Guide for Bolts:
Recommended Torque