

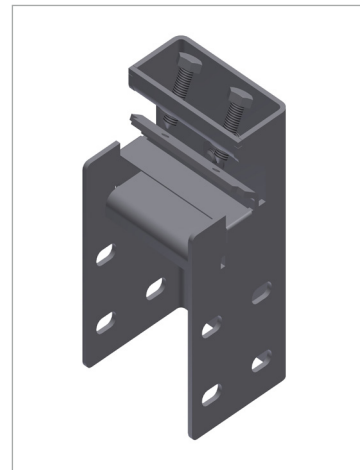
INTENDED USE

Bolted stringer brackets for fixing CH100-2T, CH100-3 or CH100-4 channels. Only suitable for vertical loadings. Stringer brackets must be used in pairs, and the end of the traverse must be independently locked off. Can be adjusted and repositioned without damaging paintwork. The stringer clamp is made to fit bulb stringers with flange widths up to 38 mm.

INSTRUCTION FOR USE

Attach the stringer bracket over the stringer and adjust the position. Loosely tighten the top two bolts and the back bolt so the bracket is lightly supported.

Securely tighten the two M10 tapered bolts clamp bolts on the the top of the clamp. Tighten the back bolt to clamp onto the stringer tightly.



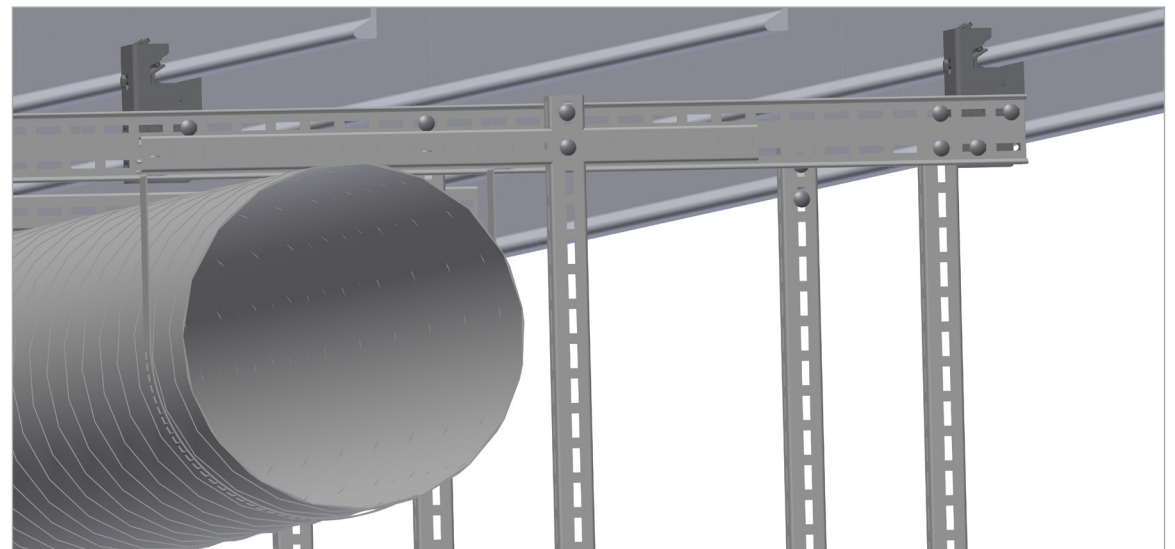
Fit the bracket over the stringer. Use the 2 pinch bolts on top of the bracket to clamp onto the stringer.



Clamp bolt on back of the bracket.



Example of fixing to stringer. (Note that - Stringer Brackets must be in pairs)



Example of fixing to stringer. (Note that - Stringer Brackets must be in pairs)



User Guide for Bolts:
Recommended Torque