

INTENDED USE

Z-Profile with 13 mm holes suitable for M10 bolts or Hilti FoS studs. The brackets are supplied in three heights (35 mm, 50mm or 70 mm) and are suitable for various installations such as electrical outfitting, tubing- and piping installation. The brackets are supplied in 3 meter lengths and can easily be cut in 50 mm increments for optimal applications.

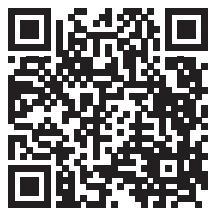
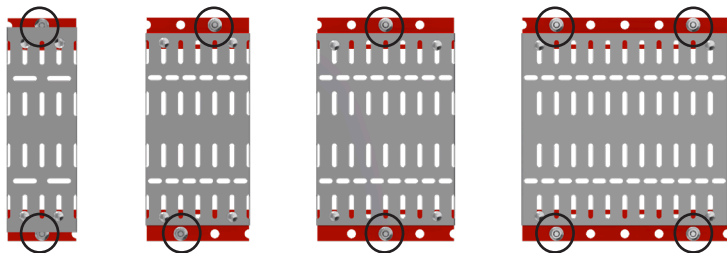
INSTRUCTION FOR USE

Cut the Z-Profile in 50mm increments to the desired length. Leave the fixing perforations intact and cut through the 13 mm hole at the base of the bracket.

Attach equipment loosely using M6 self-locking bolts, adjust and tighten securely.

Scan QR code for fitting instructions for Hilti S-BT.

For widths smaller than 300 mm: min. 2 x S-BT studs
 For widths 300mm or wider: min. 4 x S-BT studs

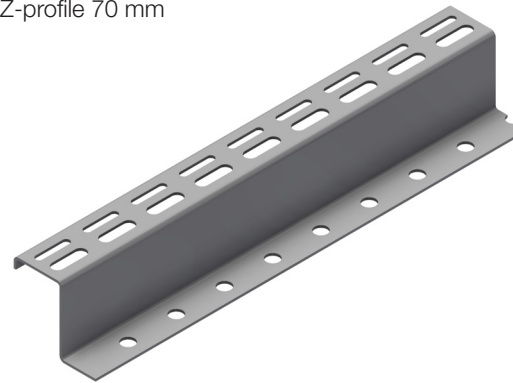


User Guide for Bolts:
Recommended Torque



Fitting instructions
for S-BT

Z-profile 70 mm



Z-profile 35 mm

