

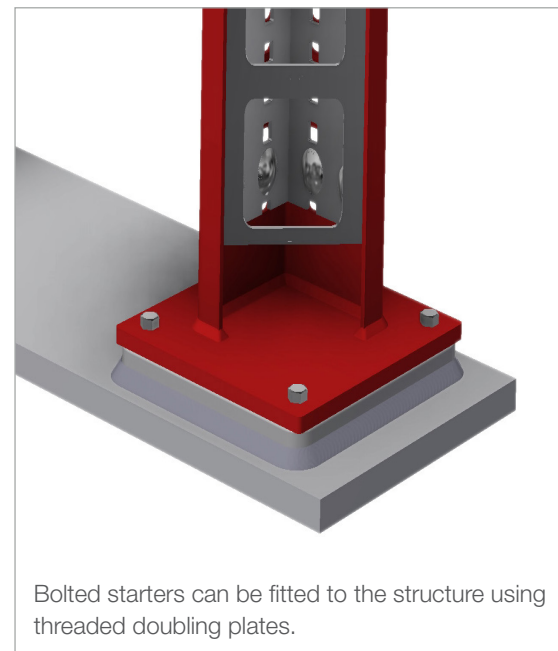
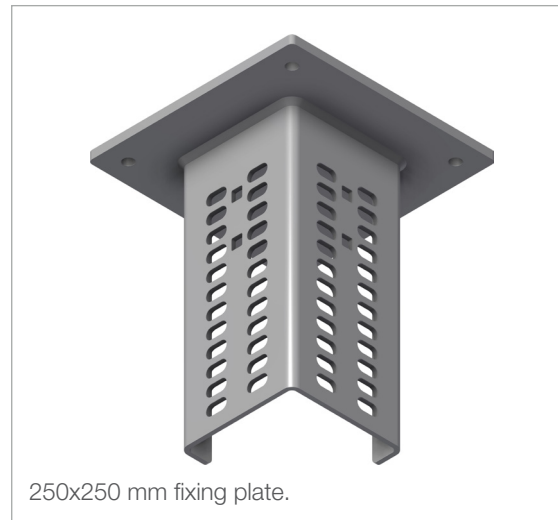
INTENDED USE

Bolted starter bracket for fixing CH125-2T5 channels. Suitable for direct fixing with M12 bolts, or bolting via a doubling plate.

Can be used on ceiling, wall or floor. Can also be fitted to threaded doubling plate. Lengths 300 mm. Hole CC 200 mm.

INSTRUCTION FOR USE

Attach to structure using suitably graded bolts. We recommend using Øglænd System metric anti vibration flange nuts. Depending on the type, tighten to the specified torque.



Suitable for fitting to ceiling, wall or floor.



User Guide for Bolts:
Recommended Torque